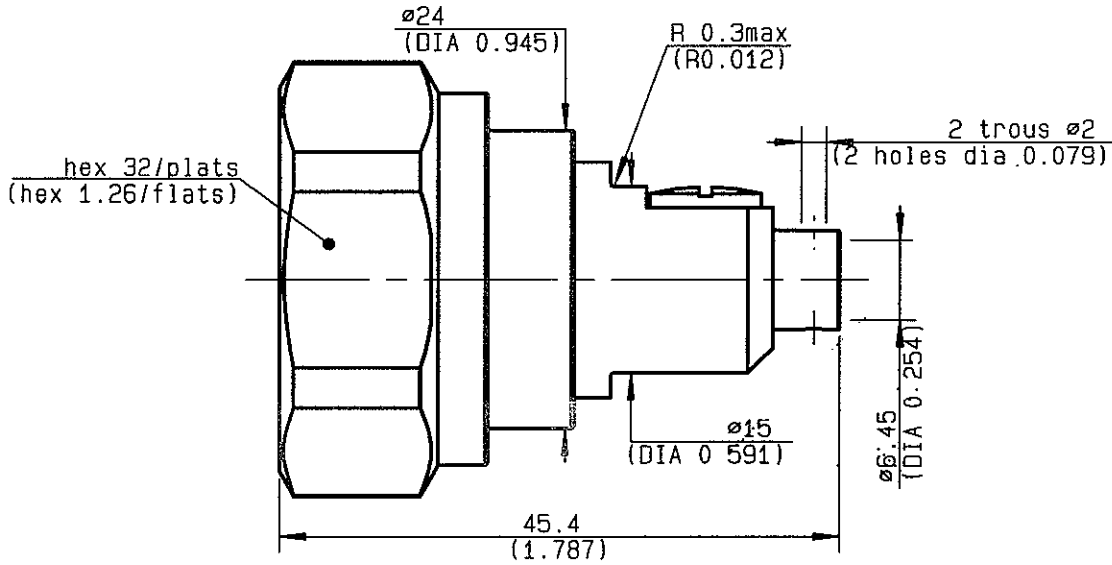


**STRAIGHT PLUG SOLDER TYPE  
CABLE .250 PACKAGING PER 20**

**R185.054.020**  
**SERIES 7-16**



NOMINAL IMPEDANCE	<b>50</b> Ω
FREQUENCY RANGE	<b>0-7.5</b> GHz
TEMPERATURE RATING	<b>-55/+105</b> °C
V.S.W.R	<b>1.2 * +</b> x F.(GHz)Maxi
RF INSERTION LOSS	<b>TBD</b> √F.(GHz) dB Maxi
VOLTAGE RATING	<b>1400</b> Veff Maxi
DIELECTRIC WITHSTANDING VOLTAGE	<b>2700</b> Veff Mini
INSULATION RESISTANCE	<b>10000</b> MΩMini
HERMETIC SEAL	<b>NA</b> Atm.cm <sup>3</sup> /s
LEAKAGE (pressurized only)	<b>NA</b>
MECHANICAL DURABILITY	<b>500</b> Cycles
WEIGHT	gr
SPECIFICATION	

CABLES **KS 3**  
**RG 401**

OTHERS CHARACTERISTICS

**\* R.O.S : 1.10 de 0 a 3GHz**

CABLE RETENTION	<b>500</b> N Mini
CENTER CONTACT RETENTION	
Axial force - mating end	<b>200</b> N Mini
Axial force - opposite end	<b>100</b> N Mini
Torque	<b>NA</b> cm.N Mini
RECOMMENDED TORQUES	
Mating	<b>3000</b> cm.N
Panel nut	<b>NA</b> cm.N
Clamp nut	<b>NA</b> cm.N

CONNECTOR PARTS	MATERIALS	FINISH (all values are given in micrometers)
BODY	BRASS	SILVER 5 PASSIVATED OVER COPPER 0.5
OUTER CONTACT	BRASS	SILVER 5 PASSIVATED OVER COPPER 0.5
CENTER CONTACT	BRASS	SILVER 5 OVER COPPER 0.5
INSULATOR	PTFE	-
GASKET	SILICONE RUBBER	-
OTHERS PIECES		

ISSUE <b>9909A00</b>	CREATION DATE <b>01-MAR-99</b>	FILE PART-NUMBER <b>98-0105-292</b>
-------------------------	-----------------------------------	--



The information given here is subject to change without notice. Design changes may be in order to improve the product.

*Connect to the future*

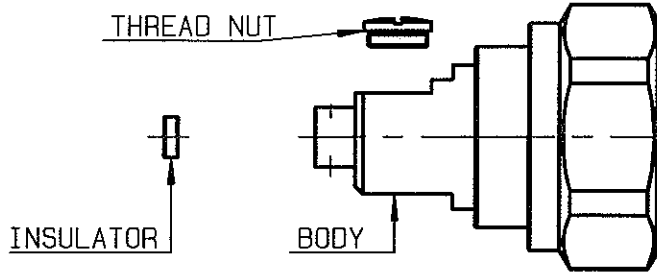
LELEU



**RADIALL®**

**R185.054.020**

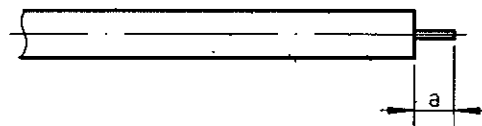
ISSUE 9909A00 SERIES 7-16



We recommend a thermal preconditioning cable

①

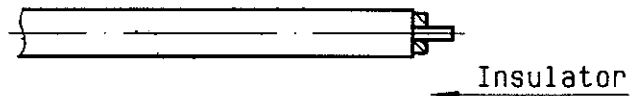
Strip the cable .  
Stripping tool R282 054 000  
Positioner R282 074 000



Stripping	a	b	c	d	e
inch	0.201 0	0	0	0	0
mm	5.1				

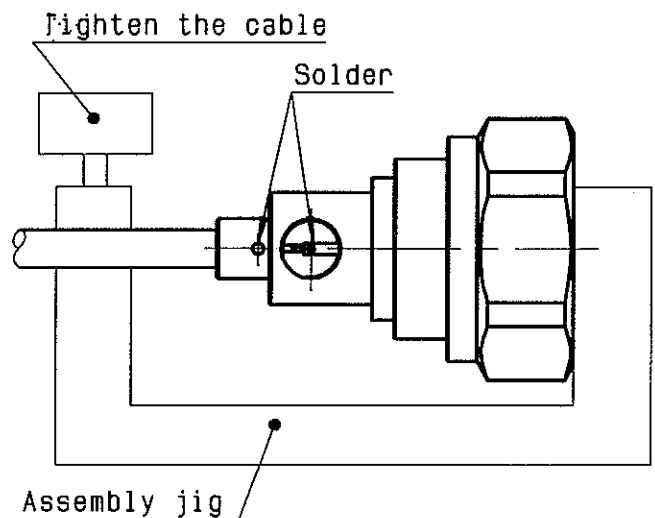
②

Slide the insulator onto the cable inner conductor .



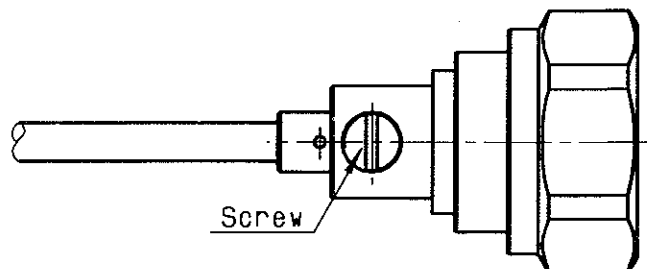
③

Introduce the cable into the connector body until it stops  
Place the sub assembly into the assembly jig R282 740 030 (or equivalent) and tighten it  
Solder the body onto the cable .  
Solder the body onto the cable .  
Let the assembly cool down before removing it from the jig .



④

Screw the cap .



LELEU